

~

Honeywell[®] Sundial[™]

~

Domestic Central Heating Wiring Diagrams with Supplementary Drawings

**Rev 1d
2nd Edition**

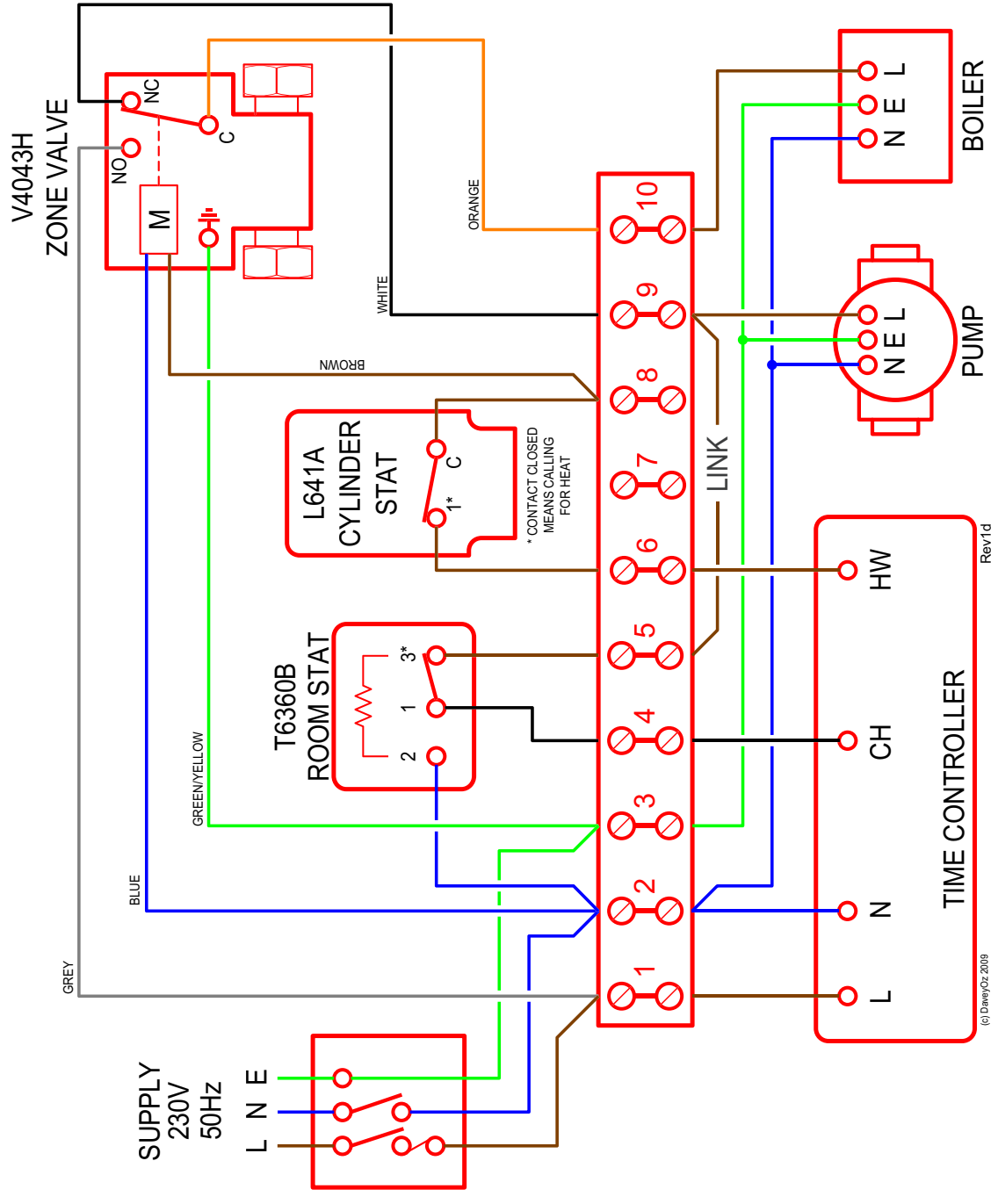
Revision History		
8 AUG 09	1b	Original Issue
26 NOV 09	1c	Amend Y-Plan wiring diagram to show correct terminal arrangement for cylinder thermostat. General cleanup of wiring diagrams.
10 DEC 09	1d	Remove references to 28mm valves

**Note: This document has neither been produced nor endorsed by Honeywell. The information in this document is provided as is with no implied warranty.
Use the information herein entirely at your own risk.**

**The Honeywell name and Sundial brand are copyright Honeywell International Inc.
All rights of the copyright holder are acknowledged by the author of this document.**

Artwork (c) DaveyOz 2009

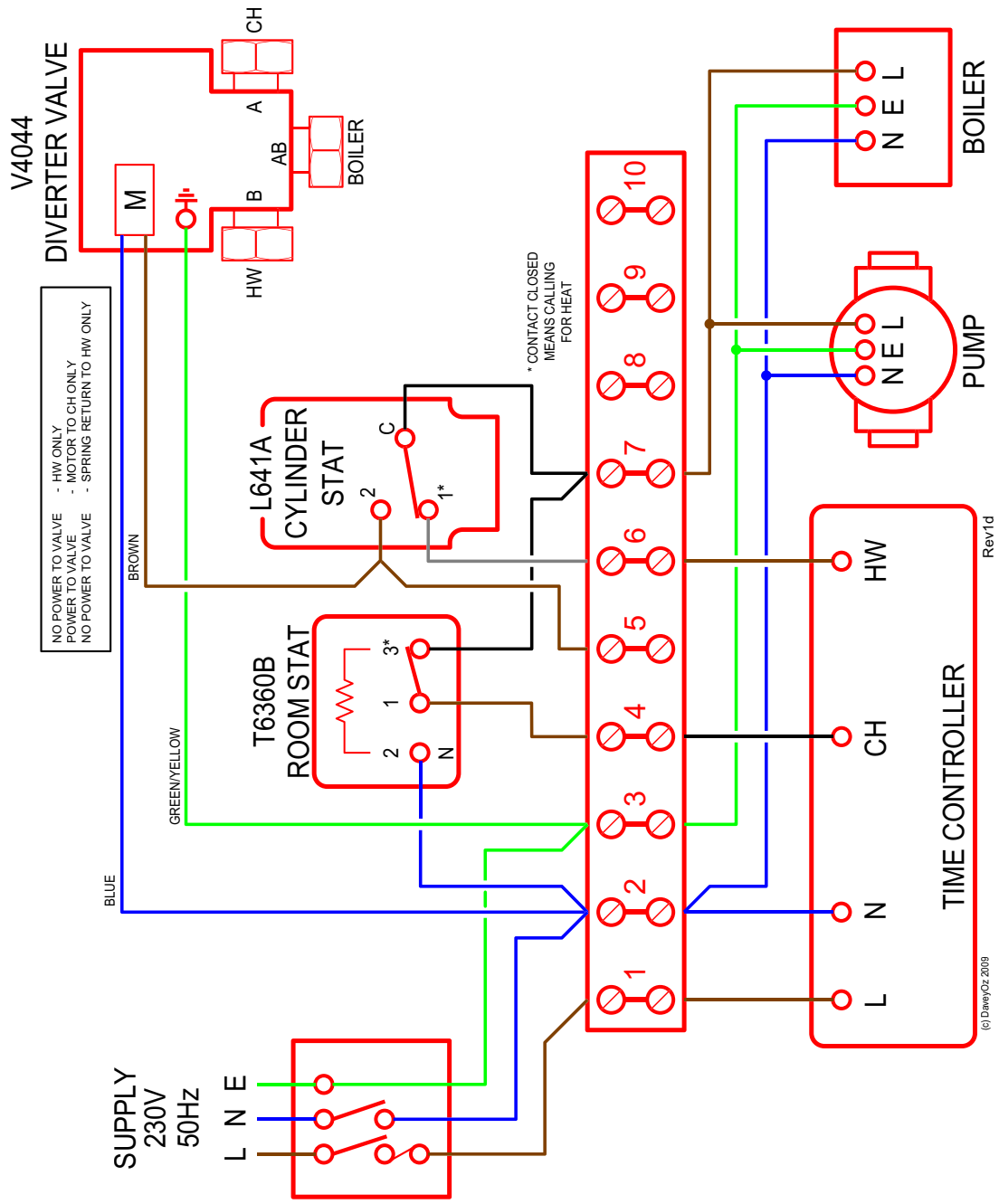
'C' PLAN



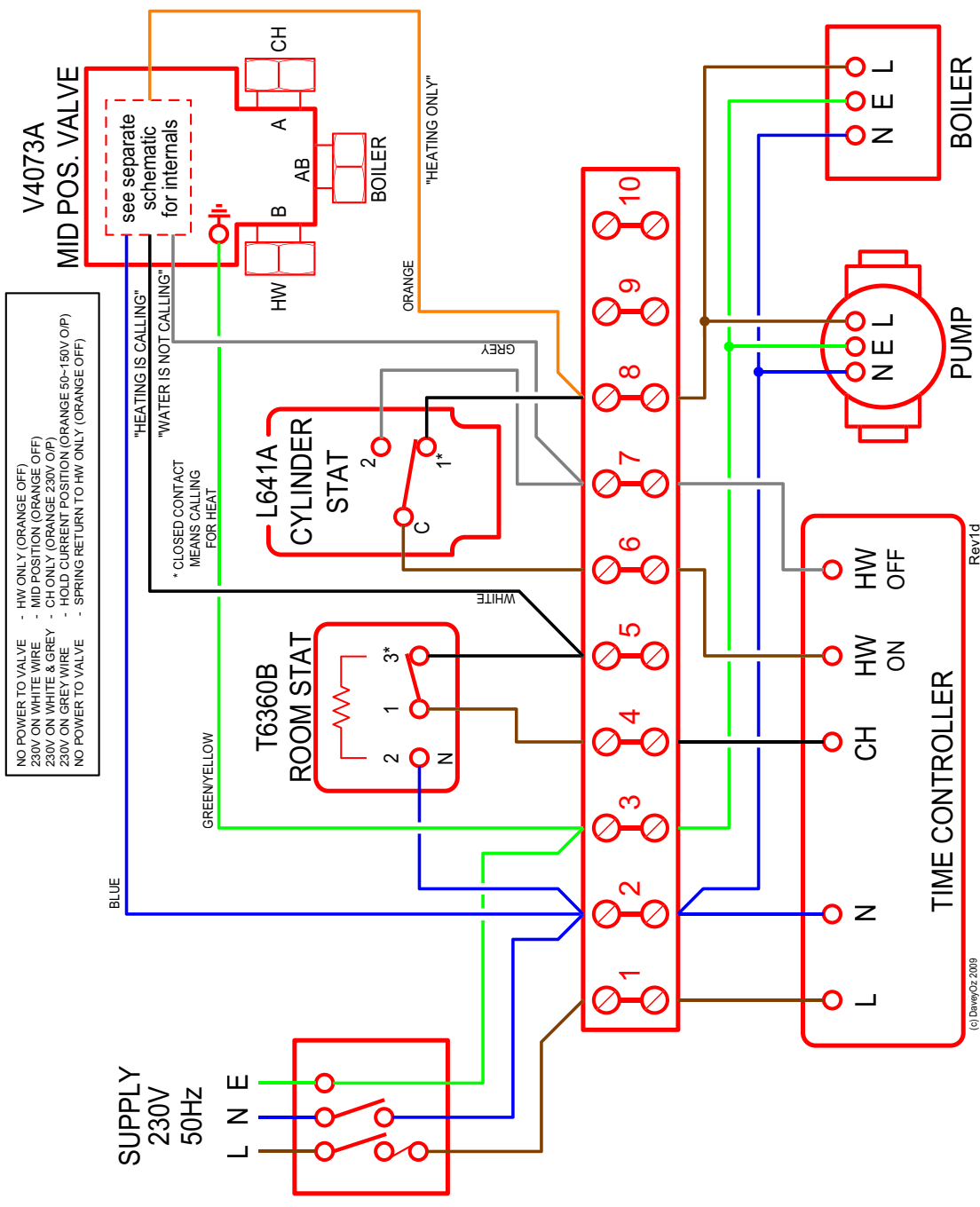
© DawseyCr. 2008

Rev1'd

'W' PLAN



'Y' PLAN

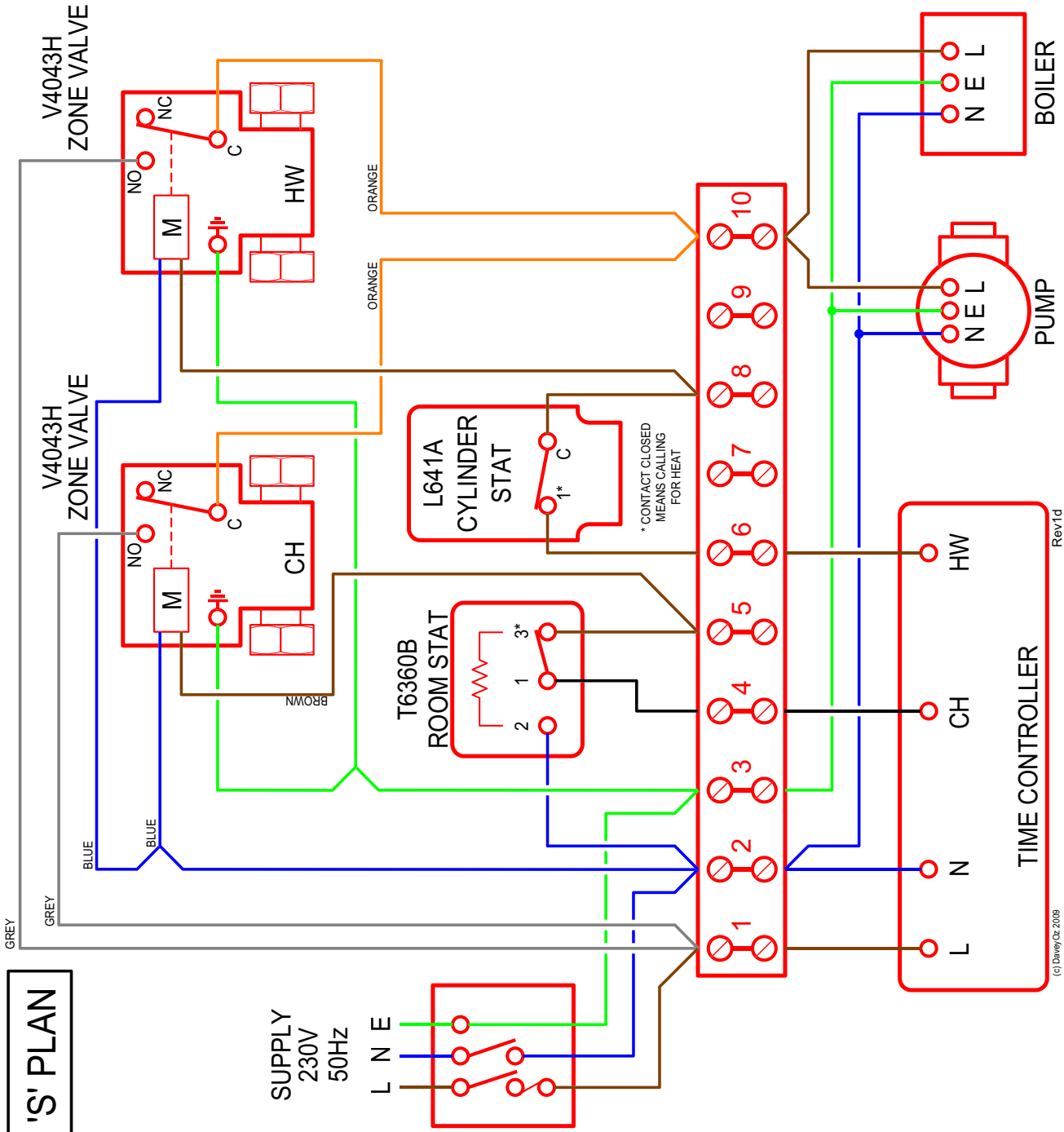
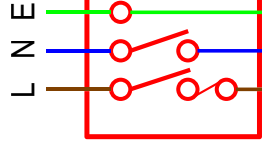


(c) Dawsey 02/2009

Rev'd

'S' PLAN

SUPPLY
230V
50Hz



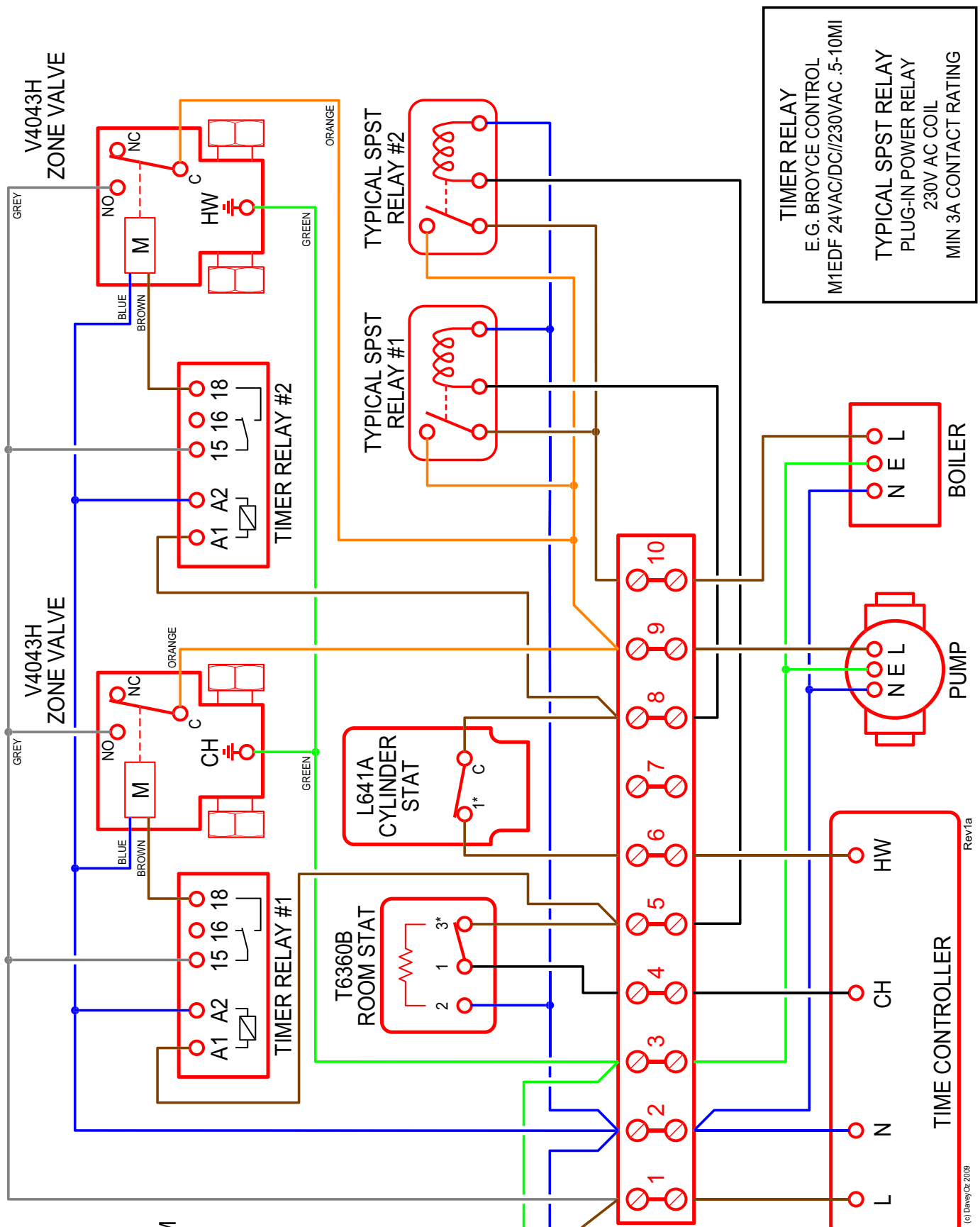
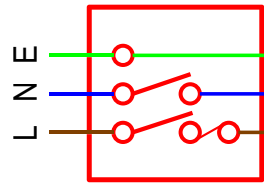
(c) Dawsey Co. 2019

Rev1d

'S' PLAN

MODIFIED FOR
OVERRIDE
THROUGH
WHOLE SYSTEM
PIPEWORK

SUPPLY
230V 50Hz
L N E



TIMER RELAY
E.G. BROYCE CONTROL
M1EDF 24VAC/DC//230VAC .5-10MI

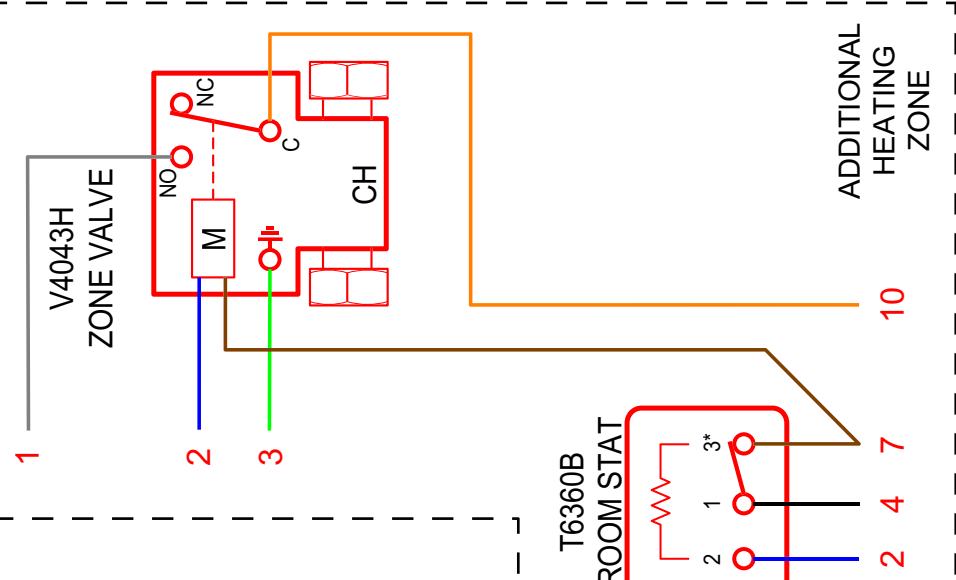
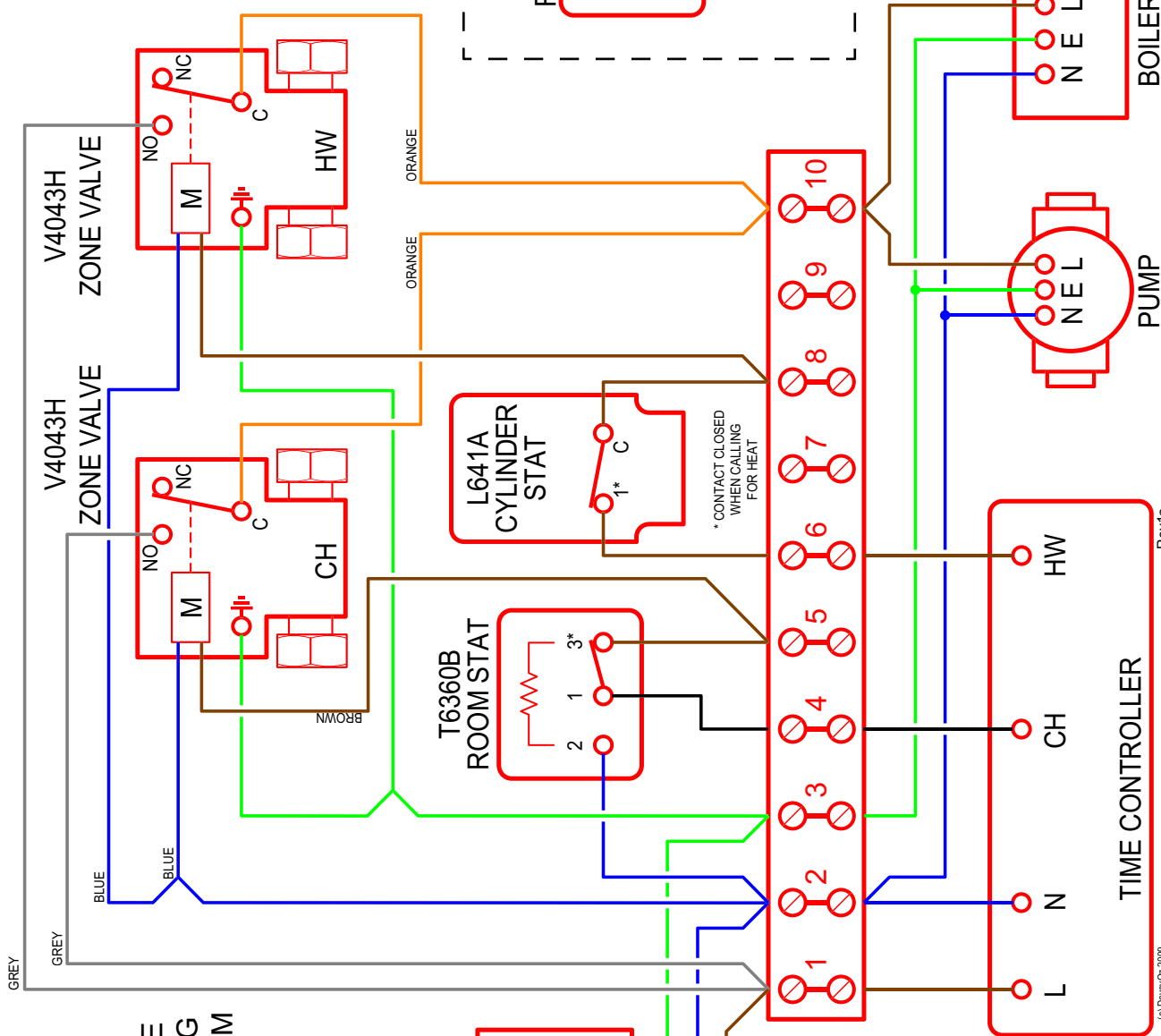
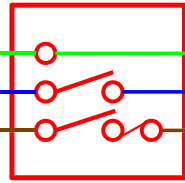
TYPICAL SPST RELAY
PLUG-IN POWER RELAY
230V AC COIL
MIN 3A CONTACT RATING

'S' PLAN PLUS

ADDING A ZONE TO AN EXISTING 'S' PLAN SYSTEM

SUPPLY
230V 50Hz

L N E



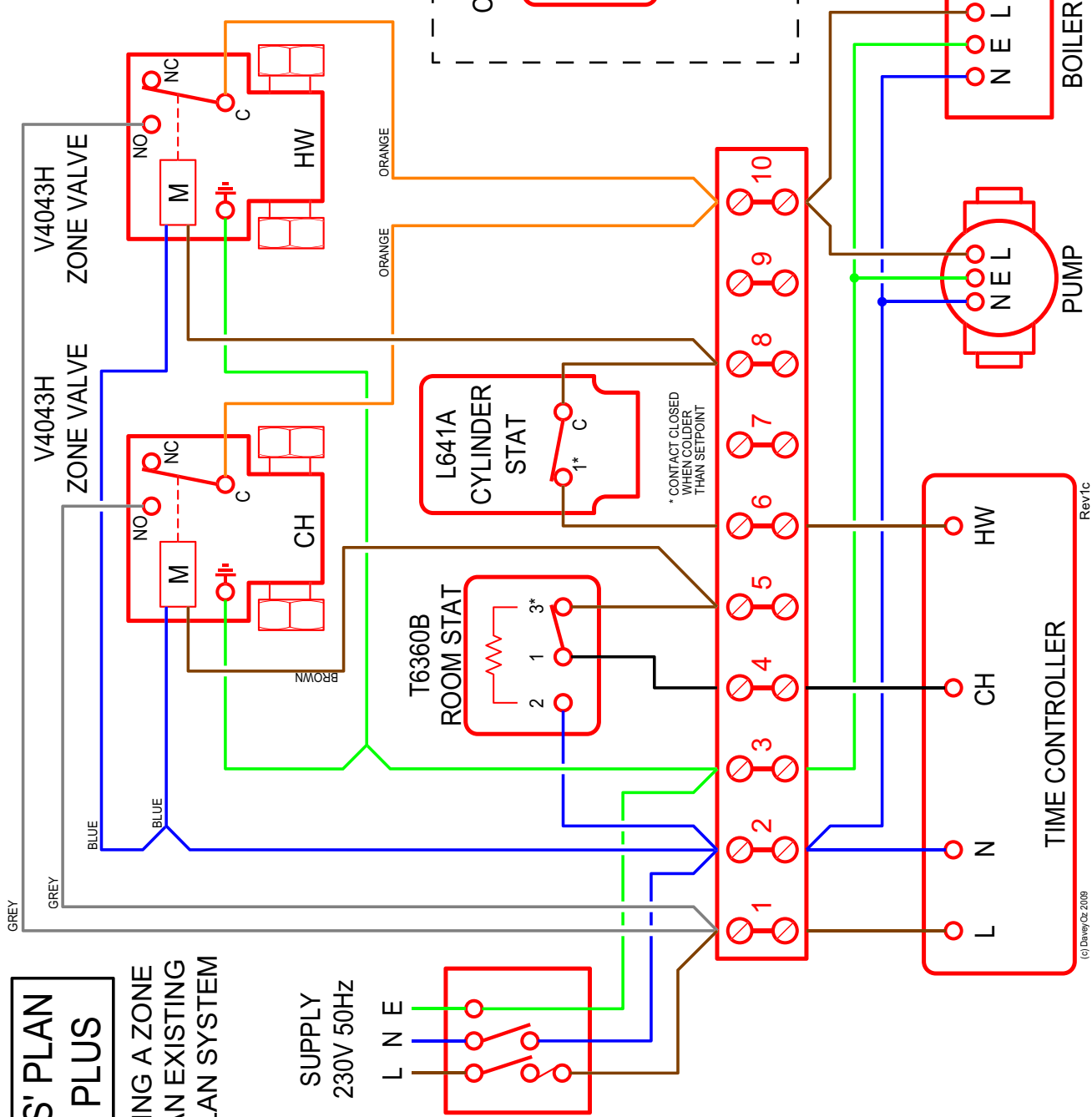
OPTION 1:
CONVENTIONAL STAT
SHARED TIMSWITCH

'S' PLAN PLUS

ADDING A ZONE TO AN EXISTING 'S' PLAN SYSTEM

SUPPLY
230V 50Hz

L N E



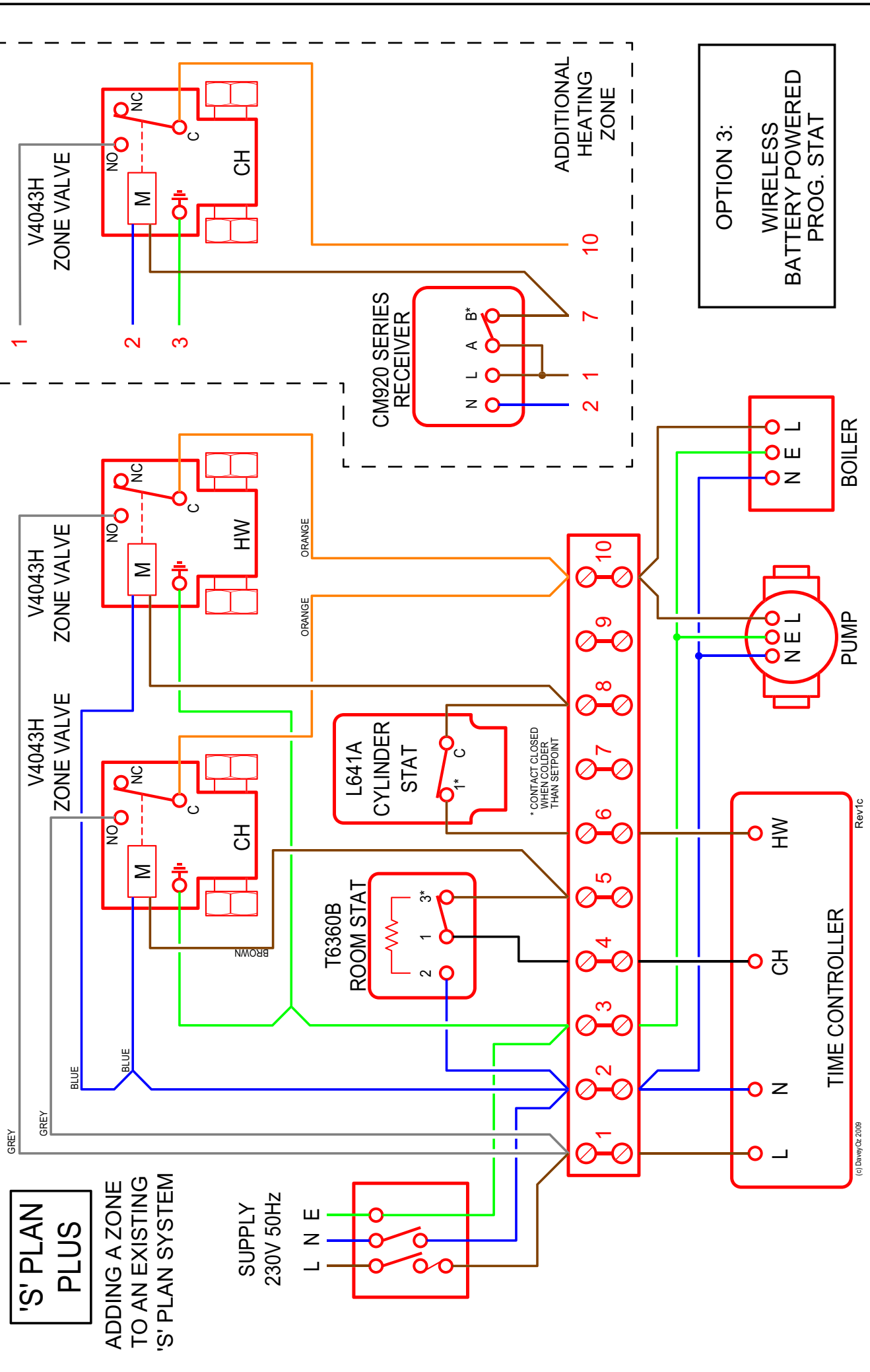
OPTION 2:
2-WIRE CONNECT
BATTERY POWERED
PROG. STAT

'S' PLAN PLUS

ADDING A ZONE TO AN EXISTING 'S' PLAN SYSTEM

SUPPLY
230V 50Hz

L N E



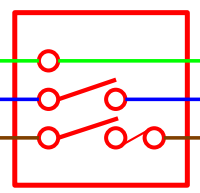
OPTION 3:
WIRELESS
BATTERY POWERED
PROG. STAT

'S' PLAN PLUS

WITH
3-CHANNEL
TIME
CONTROLLER

SUPPLY
230V 50Hz

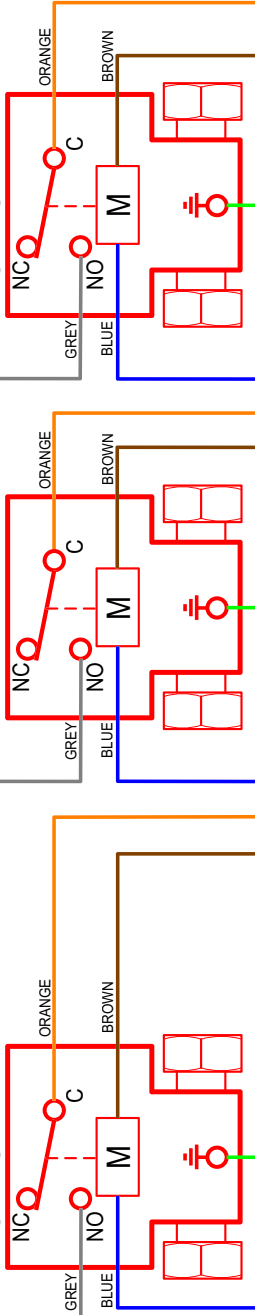
L N E



V4043H
ZONE VALVE
CH ZONE 1

V4043H
ZONE VALVE
HW

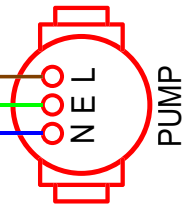
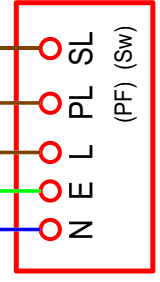
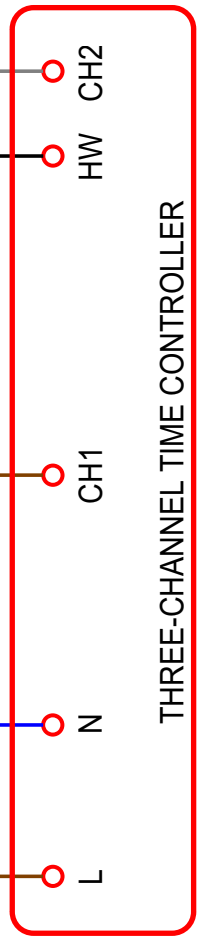
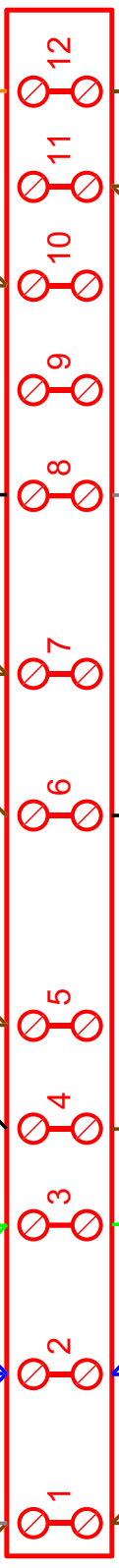
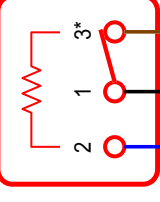
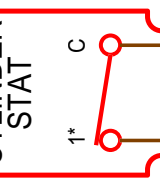
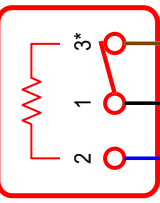
V4043H
ZONE VALVE
CH ZONE 2



T6360B
ROOM STAT

L641A
CYLINDER
STAT

T6360B
ROOM STAT

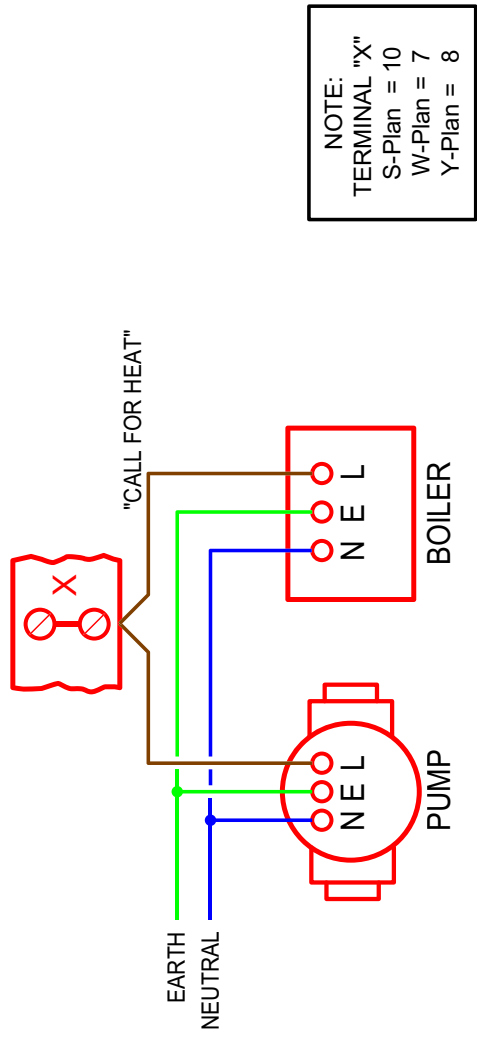


Rev1a

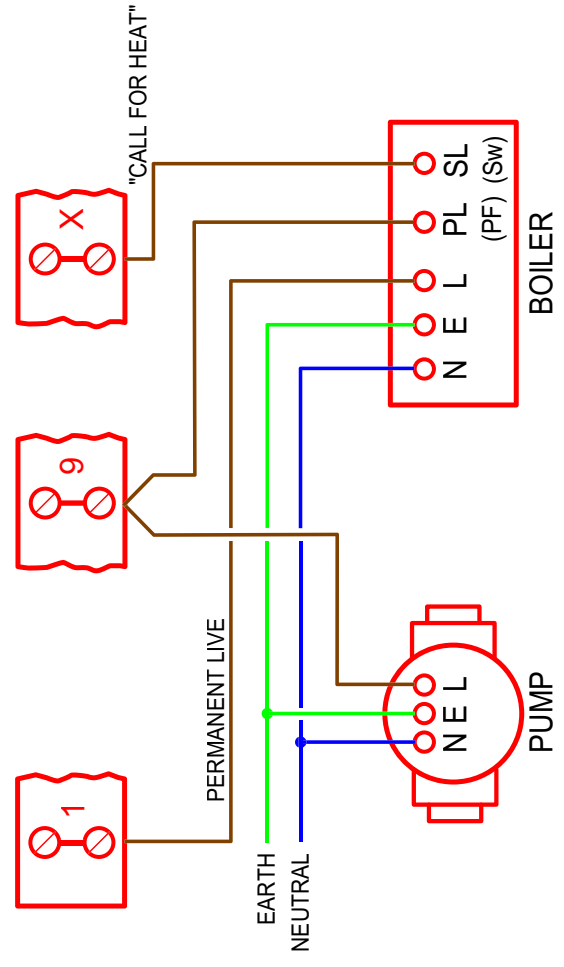
(c) Davey/Cz,2008

'S', 'W', & 'Y' PLANS MODIFIED FOR PUMP OVERRUN ON THE BOILER

"SUNDIAL" CLASSIC

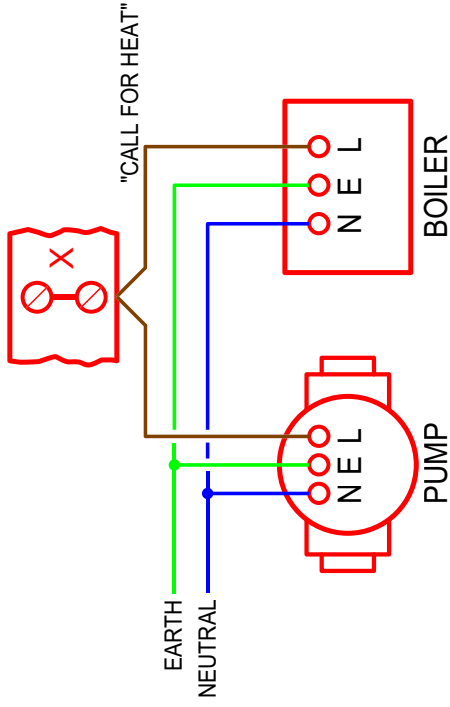


WITH PUMP OVERRUN



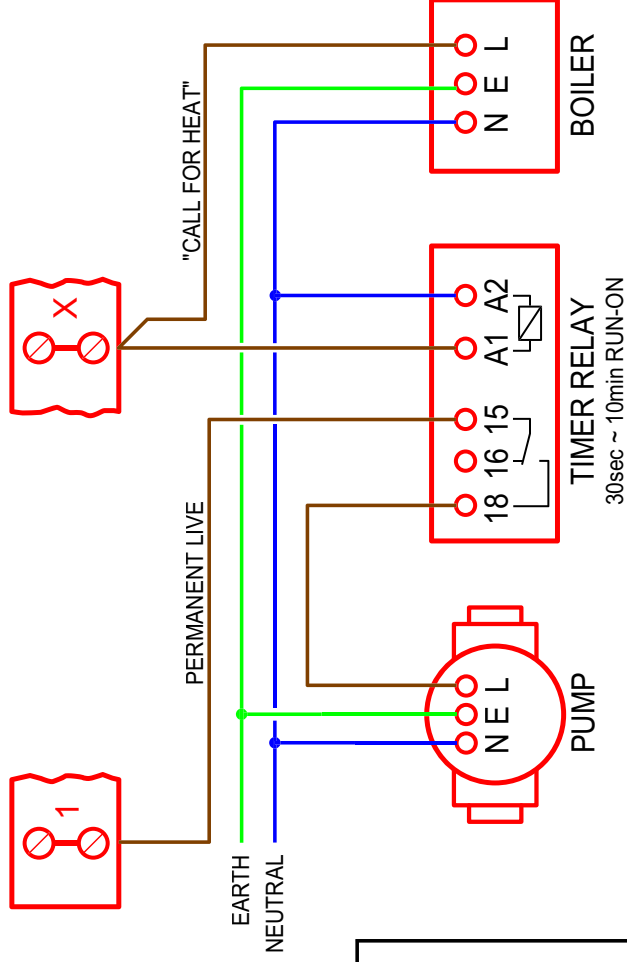
**'S', 'W', & 'Y' PLANS MODIFIED FOR
PUMP OVERRUN BY TIMER RELAY**

**"SUNDIAL"
CLASSIC**



NOTE:
TERMINAL "X"
S-Plan = 10
W-Plan = 7
Y-Plan = 8

**WITH PUMP
OVERRUN**



TIMER RELAY MUST BE A
"TRUE OFF DELAY" TYPE
E.G. BROYCE CONTROL
M1EDF 24VAC/DC//230VAC .5-10MI
RS Comps. 300-6045
M1EDF IS DIN RAIL MOUNTING
ALTERNATIVE PLUG-IN TYPE
E.G. BROYCE B8DF OR B1DF

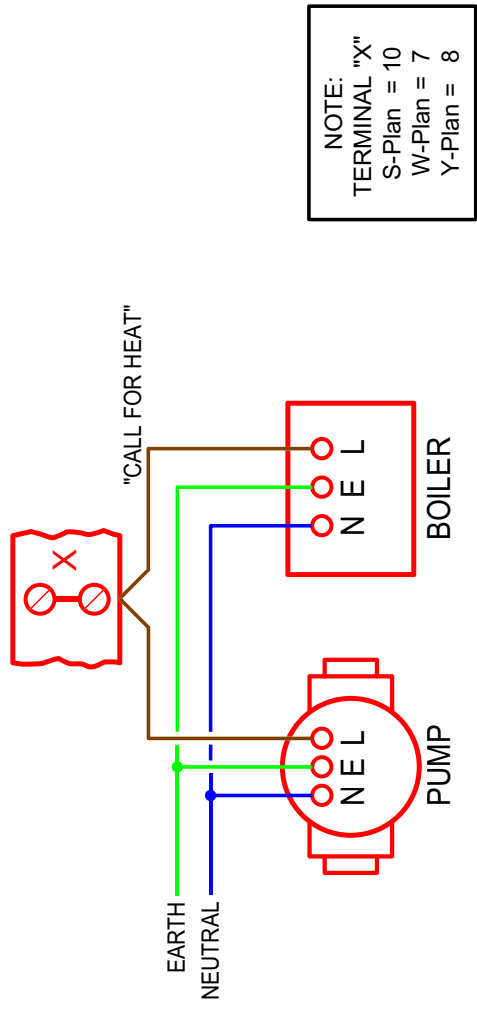
NOTE: ENCLOSURE FOR TIMER RELAY MAY NEED AN EARTH CONNECTION (NOT SHOWN)

Rev 1a

(c) Dawng02 2009

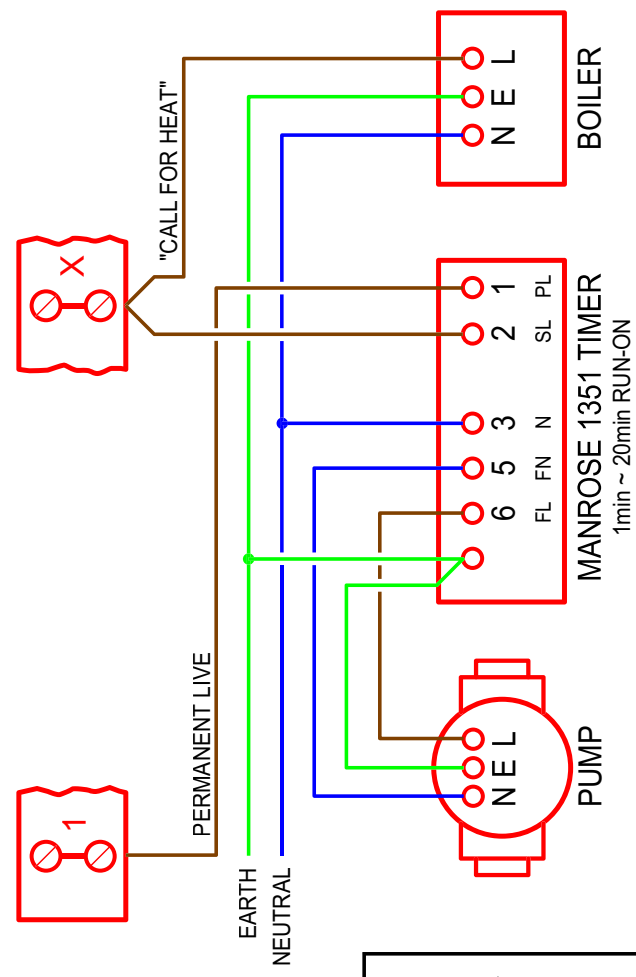
'S', 'W', & 'Y' PLANS MODIFIED FOR PUMP OVERRUN BY MANROSE EXTRACT FAN TIMER

"SUNDIAL"
CLASSIC



NOTE:
TERMINAL "X"
S-Plan = 10
W-Plan = 7
Y-Plan = 8

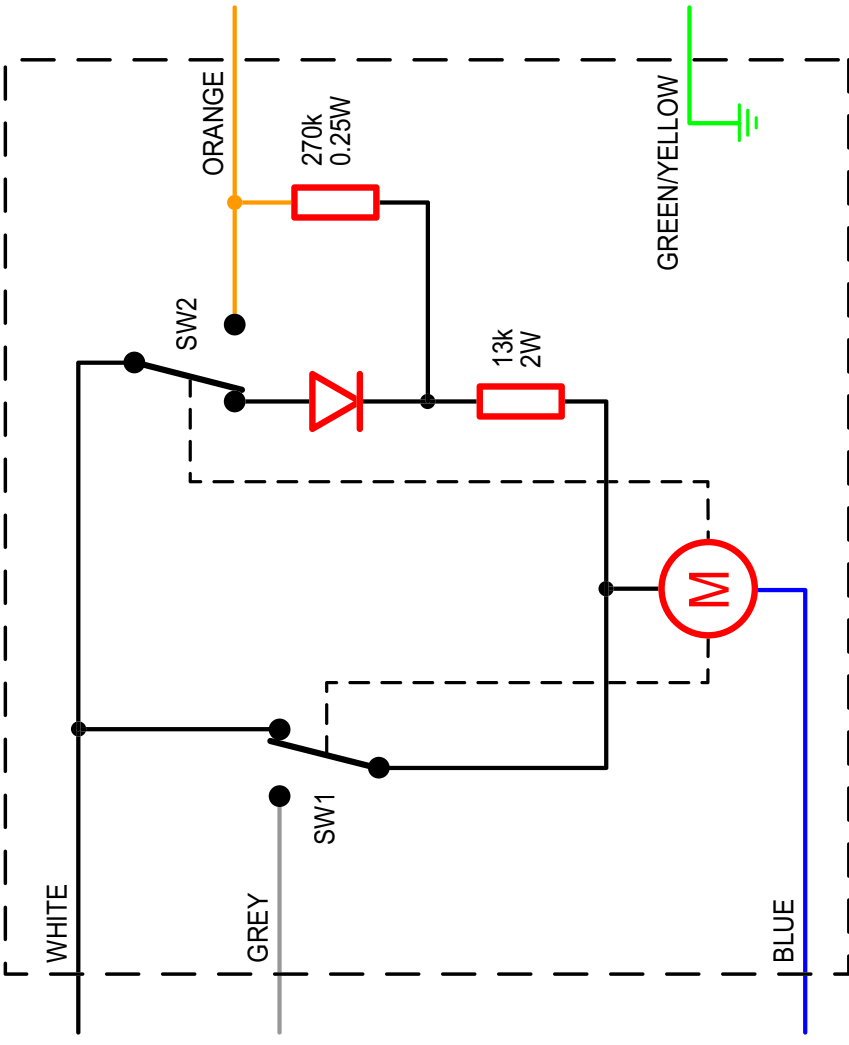
WITH PUMP
OVERRUN



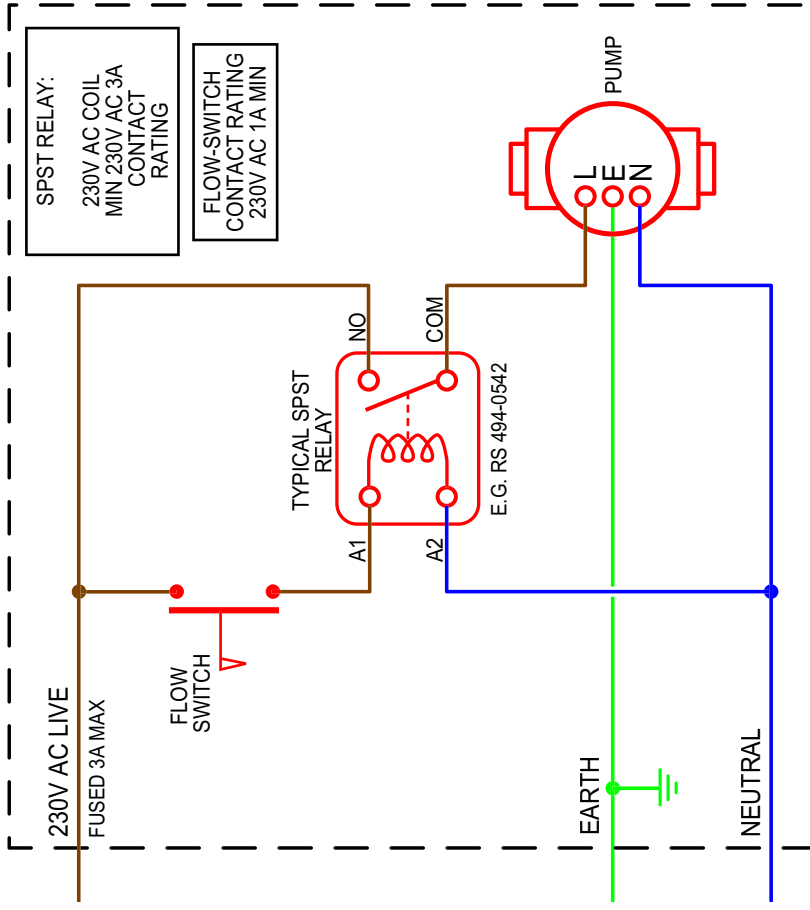
THE MANROSE TIMER MODEL 1351 IS DESIGNED FOR RETRO FITTING TO DOMESTIC EXTRACTOR FANS SO THAT THE FAN RUNS ON AFTER THE LIGHT IS SWITCHED OFF. IN THIS APPLICATION RUN-ON TIME SHOULD BE SET TO A MINIMUM OF THREE MINUTES.

NOTE: MANROSE 1351 DOES NOT HAVE AN INTEGRAL EARTH TERMINAL FITTED

HONEYWELL V4073A MID-POSITION VALVE INTERNAL SCHEMATIC



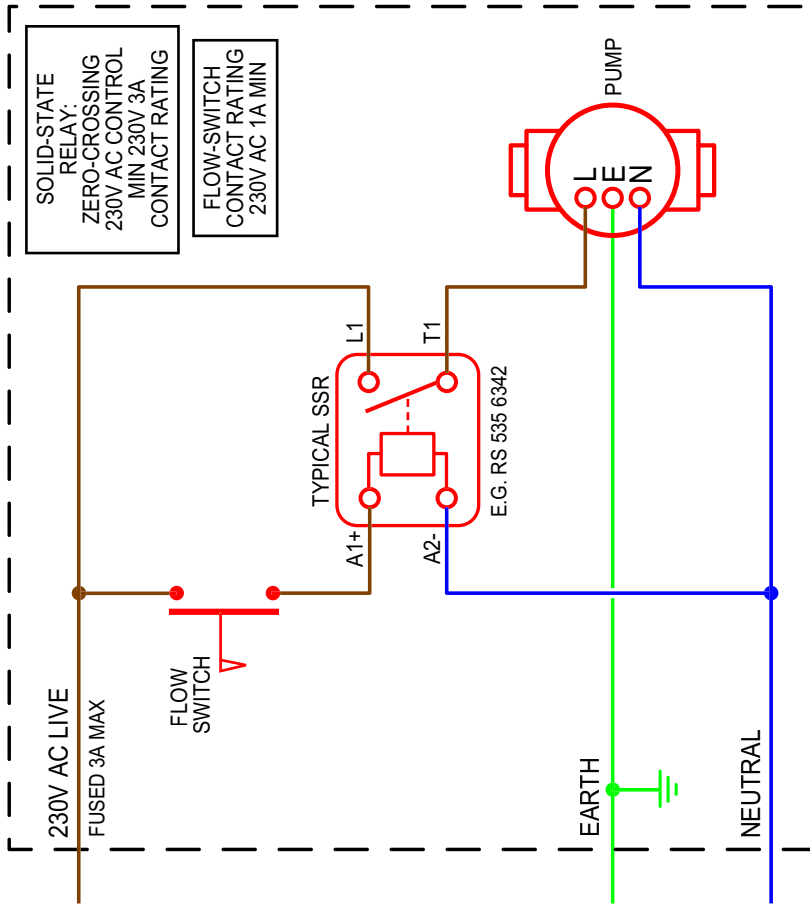
FLOW SWITCH-CONTROLLED PUMP WITH RELAY SWITCHING



(c) DoneyOz 2009

Rev1a

FLOW SWITCH-CONTROLLED PUMP WITH SSR SWITCHING



(c) DoneyOz 2009

Rev1a