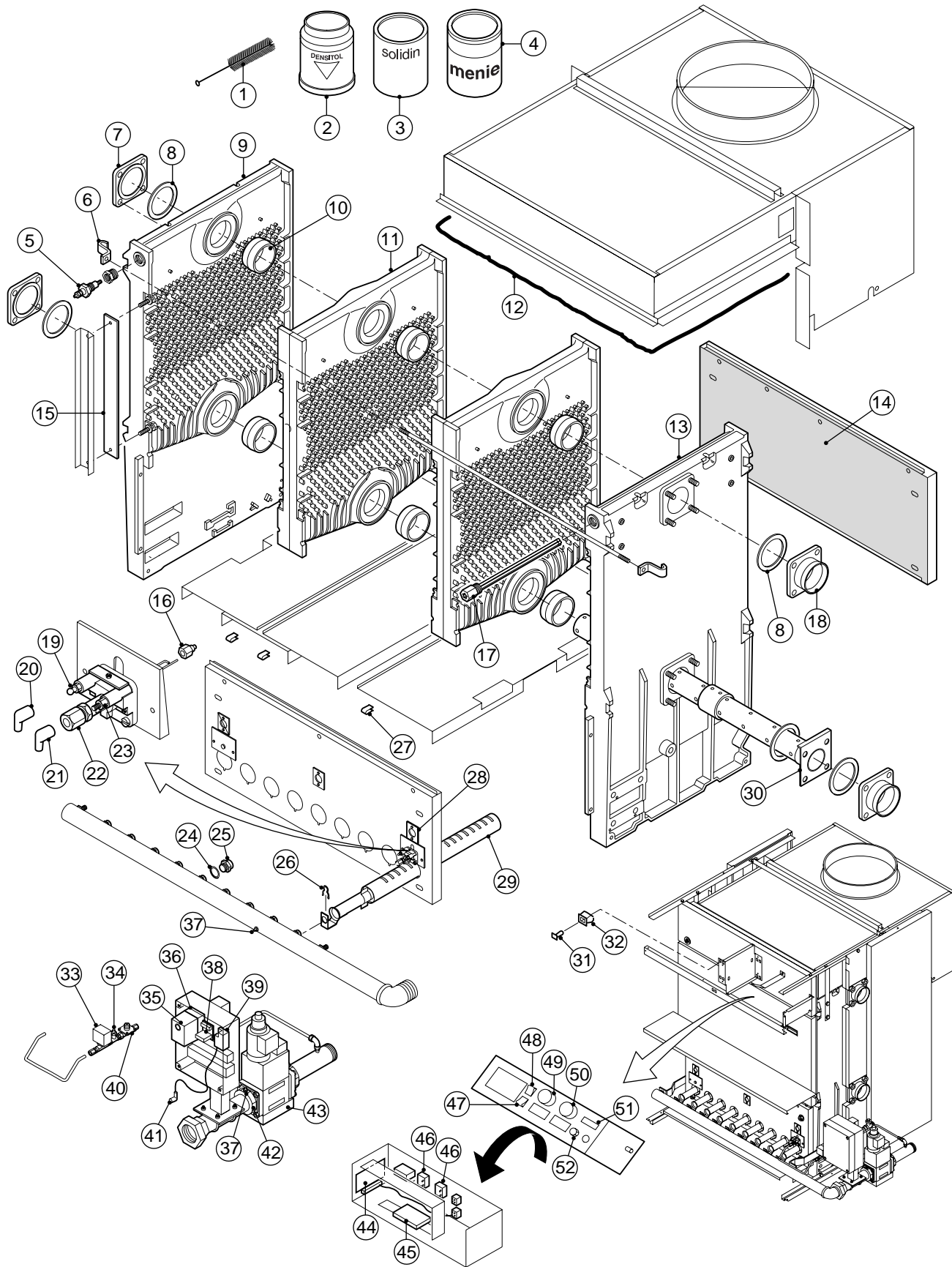


# Gas 550



Art.No.	Description	Position No.
4532	Cleaning brush boiler	1
2879	Sealant densitol ¼ kg	2
49112	Glue solidin 300cc	3
51279	Seal nipple jointing compound 125cc	4
S25786	Water level control electrode dungs ½"	5
1284	Hook for tierod	6
7705	Flange drilled ½"+m6	7
4270	Flange blank	7
S4407	Gasket set f/r	8
44081	Section end left	9
29904	Nipple	10
52776	Section intermediate	11
54717	Seal white ceramic rope16mm.	12
44083	Section end right	13
53283	Insulation radiation panel 482x38x980mm	14
53874	Gasket flue cover	15
35166	Injector (pilot) for az5 d=1.0	16
39850	Thermostat pocket 437mm	17
44114	Flange d=100	18
S41325	Ionisation electrode az-5 3d	19
S13102	Plug cap black hooked m6.3 plain pin	20
26325	Plug cap brown m4 threaded pin +1k	21
S45537	Pilot burner assembly az-5 with 1mm injector	22
S23033	Ignition electrode az-5	23
42148	Gasket for injector ½"	24
14777	Injector ½" d=5.40	25
33318	Burner retaining clips (pack of 4)	26
19717	Floor plate clip	27
1301	Mica glass d=40	28
S52558	Burner bar (1pcs) furigas	29
52766	Burner bar (3 pcs) furigas	29
52767	Burner bar (4 pcs) furigas	29
40084	Return water distribution pipe 12 section	30
40091	Returnwater distribution pipe 22 section	30
40090	Return water distribution pipe 20 section	30
40089	Return water distribution pipe 18 section	30
40088	Return water distribution pipe 16 section	30
40086	Return water distribution pipe 14 section	30
40082	Return water distribution pipe 10 section	30
43799	Door snapper male	31
43798	Door snapper female	32
S55503	Safety valve	33
19609	Pressure test nipple ¼"	34
S38298	Control box satronic mmi 816 mod.10	35
S36629	Base plate for control panel	36
1035	Pressure test nipple1/8"	37
S39223	Pcb alarm board (r3ca52)	38
S48255	Transformer ignition satroniczt 870	39
S36953	Pressure switch gas ¼"	40
56603	Ignition cable complete l=1000	41
53494	Flange mb 420	42
53491	Valve multi block 10-18 section	43
53492	Valve multi block 20-22 section	43
S38488	Water level device dungs	44
S52177	Module simple	45
S46634	Thermostat control & h/l 35-95 degrees	46
51196	Button lockout re-set	47
S51393	Switch on/off 40c1350al	48
51098	Knob for control thermostat	49
51099	Knob for high/low thermostat	50

Art.No.	Description	Position No.
S45309 S36446	Thermometer water temperature 0-120 Thermostat tem high limit 110 c l&g rak 77.4471	51 52